

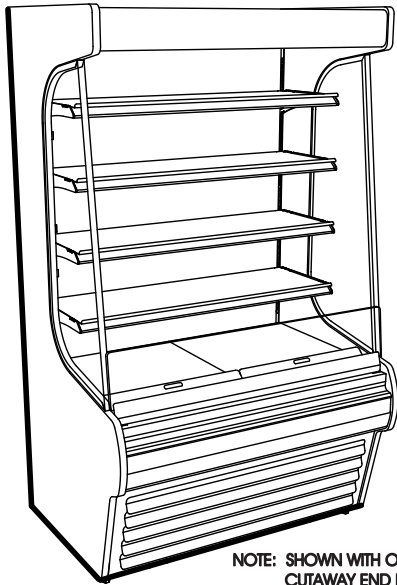


PRODUCT SPECIFICATIONS

ITEM NO. \_\_\_\_\_  
 PROJECT: \_\_\_\_\_  
 DATE: \_\_\_\_\_

Self-Service Refrigerated Merchandiser

- CO3678R 36"L x 38 1/4"D x 80 1/2"H
- CO4778R 47"L x 38 1/4"D x 80 1/2"H
- CO5978R 59"L x 38 1/4"D x 80 1/2"H
- CO7178R 71"L x 38 1/4"D x 80 1/2"H



NOTE: SHOWN WITH OPTIONAL CUTAWAY END PANEL

STANDARD FEATURES

- Integrated average product temperature of 41°F or less.
- One T-8 top light with protective coating.
- Electric condensate evaporator pan with all self-contained refrigeration packages.
- Compressor air intake through front panel & out rear. Front panel cannot be blocked and unit must remain 4" from wall.
- One year parts & labor; one to five year compressor warranty.
- Breeze™ refrigeration system.
- Removable deck pans provide complete access to evaporator coil and refrigeration connections.
- 4"D removable rear wall spacer bracket.
- Shelf/shelves removable and adjustable vertically on 1" centers at 0°, 5° & 10° angles.

	STANDARD SPECIFICATION	OPTION(S)
END PANEL COLOR	<input type="checkbox"/> Black	<input type="checkbox"/> Wilsonart/Formica standard laminate <input type="checkbox"/> Wilsonart/Formica premium Laminates <input type="checkbox"/> Stainless Steel
HEADER COLOR	<input type="checkbox"/> Black	<input type="checkbox"/> Stainless Steel <input type="checkbox"/> Special paint colors <input type="checkbox"/> Standard paint colors
LOWER FRONT PANEL COLOR	<input type="checkbox"/> Black	<input type="checkbox"/> Stainless Steel <input type="checkbox"/> Special paint colors <input type="checkbox"/> Standard paint colors
MISCELLANEOUS	<input type="checkbox"/> None	<input type="checkbox"/> Clean Sweep™ automatic condenser coil cleaner
UPPER FRONT PANEL COLOR	<input type="checkbox"/> Black	<input type="checkbox"/> Special paint colors <input type="checkbox"/> Standard paint colors <input type="checkbox"/> Wilsonart/Formica premium Laminates <input type="checkbox"/> Wilsonart/Formica standard laminate <input type="checkbox"/> Stainless Steel
UPPER FRONT PANEL STYLE	<input type="checkbox"/> Formed ABS (painted)	<input type="checkbox"/> Flat panel (reduces depth to 32-1/4" w/o rear wall spacer)
UPPER REAR	<input type="checkbox"/> Solid panel - Galvanized	<input type="checkbox"/> Swinging doors w/lock (matches int. color) <input type="checkbox"/> Solid panel - Black
INTERIOR COLOR	<input type="checkbox"/> Black	<input type="checkbox"/> White <input type="checkbox"/> Stainless Steel
COVER/CURTAIN	<input type="checkbox"/> None	<input type="checkbox"/> Security cover, roll-down, locking (increases height of case by 7") <input type="checkbox"/> Night curtain, pull-down, non-locking <input type="checkbox"/> Security cover, removable, locking
REFRIGERATION	<input type="checkbox"/> Self-contained front pull-out/rear air discharge w/straight blade power cord	<input type="checkbox"/> Remote w/leads (Floor drain required)
BASE SUPPORT	<input type="checkbox"/> Levelers	<input type="checkbox"/> Casters (not available with case to case acrylic end option)
END PANEL LEFT	<input type="checkbox"/> Full w/mirror	<input type="checkbox"/> Cutaway w/glass
END PANEL RIGHT	<input type="checkbox"/> Full w/mirror	<input type="checkbox"/> Cutaway w/glass <input type="checkbox"/> Case to case acrylic panel (only w/flat upper front panel)
SHELVING	<input type="checkbox"/> (4) 15"D non-lighted shelves	<input type="checkbox"/> (5) 15"D non-lighted shelves <input type="checkbox"/> (4) 15"D lighted shelves <input type="checkbox"/> (5) 15"D lighted shelves

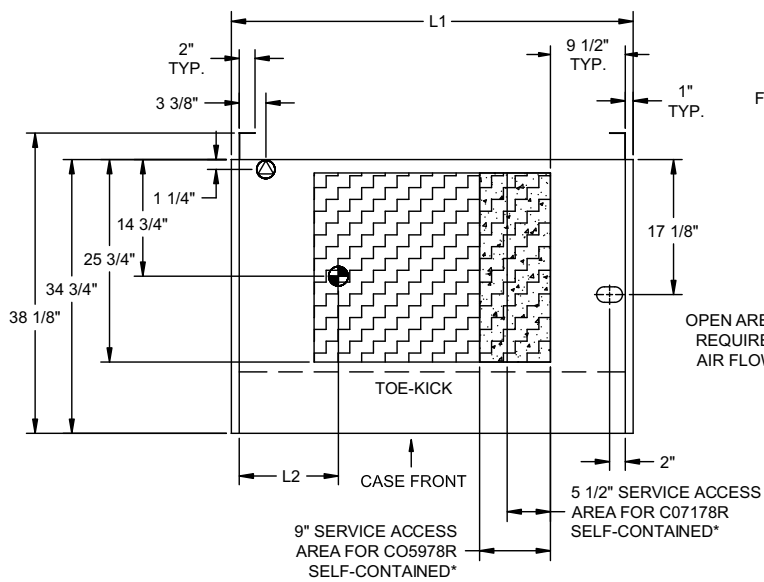


Note: Information is subject to change at any time.

888 Porter Rd. Muskegon, MI 49441 Phone: 231.798.8888 Fax: 231.798.4960 www.structuralconcepts.com

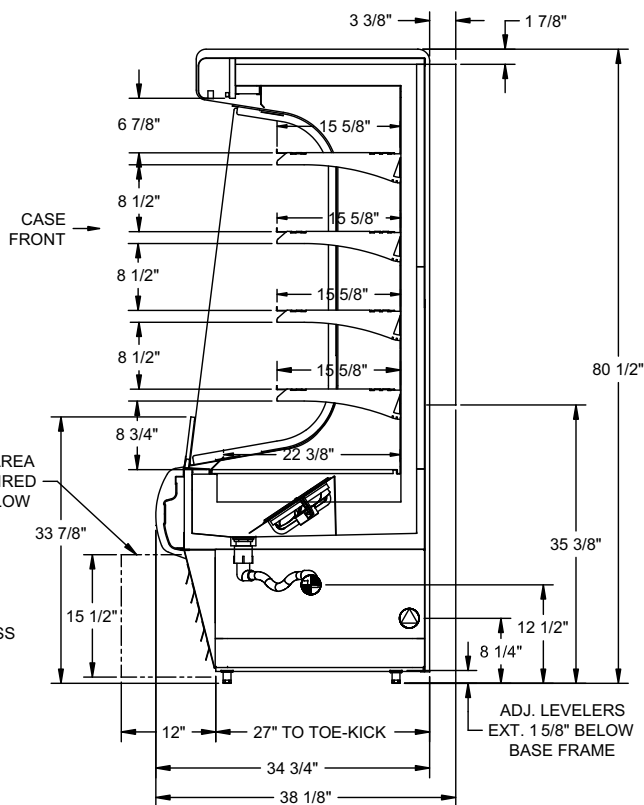
Intended Use of Display Area: Packaged refrigerated products  
 Integrated Product Temperature (IPT): 41°F  
 Intended Environment: Designed to operate in ambient conditions of 75°F / 55% relative humidity.

### PLAN VIEW



\*SELF-CONTAINED MODELS CO3678R & CO4778R  
 SERVICE ACCESS AREAS ONLY ACCESSIBLE  
 BY PULLING OUT COMPRESSOR UNIT

### SIDE VIEW



NOTE: ALL DIMENSIONS APPROXIMATE

- ELECTRICAL JUNCTION BOX (SUPPLIED WITH 6" LEADS OR POWER CORD).
- LOCATION OF CONDENSATE DRAIN TUBE (SUPPLIED WITH 3/4" OR 1 1/2" PVC DRAIN TUBE).
- REFRIGERATION LINE CONNECTION.
- REMOTE CASE SERVICE ACCESS AREA.
- SELF-CONTAINED CASE SERVICE ACCESS AREA.
- DRY CASE SERVICE ACCESS AREA.

Model	Self-Contained Refrigeration/Dry					Remote Refrigeration w/Leads			Ship Wt	Frt CIs
	L1*	L2*	Volts++	Amps	NEMA Plug	Volts++	Amps***	BTUH		
CO3678R	36	5 1/8	120/1/60	16.86	NEMA 5-20 P	120/1/60	2.98	5306	890	110
CO4778R	47	11	220/1/60**	15.4	NEMA 14-20 P	120/1/60	2.98	7990	1030	110
CO5978R	59	22 1/2	220/1/60**	16.42	NEMA 14-20 P	120/1/60	3.15	9360	1230	110
CO7178R	71	18 1/2	220/1/60**	22.99	NEMA 14-30 P	120/1/60	4.22	11042	1370	110

++ Operating range for 120 volt rating is 110-120 volts; operating range for 220 volt rating is 208-230 volts.

\*\* Requires 3 wires + ground

\*\*\* Does not include electric defrost on freezer models

### REGULATORY APPROVALS

- ETL Listed Conforms to UL 471
- ETL Sanitation Conforms to NSF 7

### Important Note:

Compressor air ventilation is out the rear. Unit must remain 4" from the wall and front panel cannot be blocked. Product temperature will be affected if the air curtain is disrupted.

### Important Note:

Models CO4778R, CO5978R & CO7178R Require 220/1/60 Voltage.

### Important Note:

This unit includes 3 1/8" removable spacers along the rear. 40" minimum door entry clearance is required (without shipping skid). 36" minimum door entry is required if spacers are removed.